



Washer extractor

W555H

Features and benefits

- **Compass Pro® microprocessor offers:**
 - Large display and one control knob for easy program selection
 - Language selection
 - Quick selection and option buttons for the most frequently used wash programs and options
 - Wash program packages optimized on *Economy, Performance and Time*
- **AS – Automatic Savings:**
 - The machine weighs the linen and adjusts the amount of water and energy according to the load. This leads to considerable savings in case the machine is not fully loaded
- Extremely low water and energy consumption – see table below
- Four compartment detergent box for manual dosing of powder or liquid detergent
- High extraction force for efficient dewatering
- Door with gasket and strong hinges built for heavy duty operation
- Stainless and galvanized steel in all vital parts for high degree of rust protection
- **PowerBalance™:**
 - Maximises the extraction force
 - Less stress on the machine
 - Reduces vibrations



Images shown are a representation of the product only and variations may occur.

Main options

- Automatic liquid detergent supply (optional I/O board)
- Connection to booking- /payment- system or coin meter
- Drain pump
- Stacking kit to install tumble dryer T5130 on top to save space

Main specifications				W555H
Max. capacity		kg/lb		6/13
Drum, volume		litre		53
	diameter	ø mm		452
Extraction		rpm		1450
G-factor				530
Heating alternatives, 230/400V	electricity	kW		4.7
	non-heated			x
Consumption data "Normal 60°C" * (6G01)				
Total time		min		50
Water consumption (cold+hot)		litre		36+9
Energy consumption (motor/heating)		kWh		0.15/0.2

* Water temperature 15°C cold water and 65°C hot water.

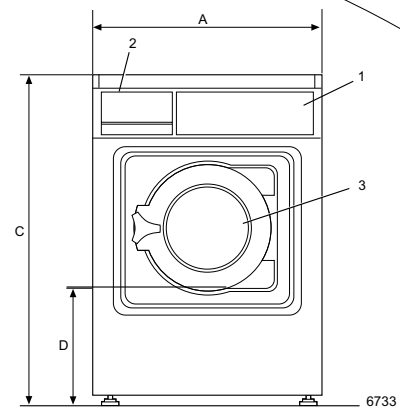


Electrical connections						
Heating alternative	Main voltage		Heating power kW	Total power kW	Recommended fuse A	
		Hz				
Electric heated	220-230V 1~	50/60	2.1	2.5	16	
	220-230V 1~	50/60	4.2	4.7	25	
	240V 1~	50/60	2.2	2.6	16	
	240V 1~	50/60	4.4	4.8	20	
	220-230V 3 ~	50/60	4.2	4.7	20	
	240V 3 ~	50/60	4.4	4.8	20	
	380-400V 3 ~	50/60	3.2	3.6	10	
	415V 3 ~	50/60	3.6	4.0	10	
	440V 3 ~	60	4.0	4.5	16	
	480V 3 ~	60	4.4	4.8	16	
	380-400V 3N ~	50/60	4.2	4.7	10	
	415V 3N ~	50/60	4.4	4.8	10	
	Non heated	220-240V 1 ~	50/60	-	0.9	10

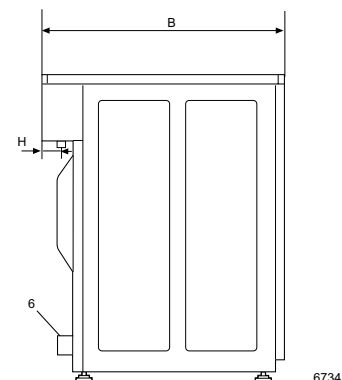
Water connections		W555H
Water valves	DN	20
Water pressure	kPa	200-500
Capacity at 300 kPa	l/min	17
Drain valve	ø mm	50
Draining capacity	l/min	160
Liquid detergent supplies		4
Floor requirements		
Frequency of the dynamic force	Hz	24.2
Floor load at max extraction	kN	1.02 ± 0.3
Sound levels		
Sound power level (IEC 60704-2-4) wash	dB(A)	59
extraction	dB(A)	72
Heat emission		
% of installed power, max		5
Shipping data		
	net, kg	99
	crated, kg	109
	boxed, kg	147
Shipping volume	crated, m ³	0.47
Accessories		
Stainless steel fluff collector		x
Stacking kit with tumble dryer		x
Steel base		x
Dimensions in mm		
A	Width	595
B	Depth	680
C	Height	850
D		305
E		660
F		80
G		195
H		60
I		90
K		80
L		650 ± 50
1	Control panel	5 Hot water
2	Soap box	6 Drain, valve
3	Door opening ø 255 mm	7 Drain, pump
4	Cold water	8 Electrical connection

Front and side panels in light grey with "Blue Wave" on front panel (RAL 260 70 05, 250 60 30)

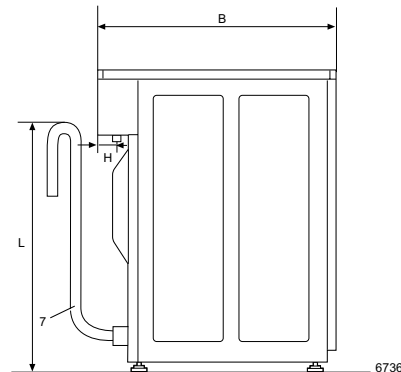
* Other voltages available, see installation manual



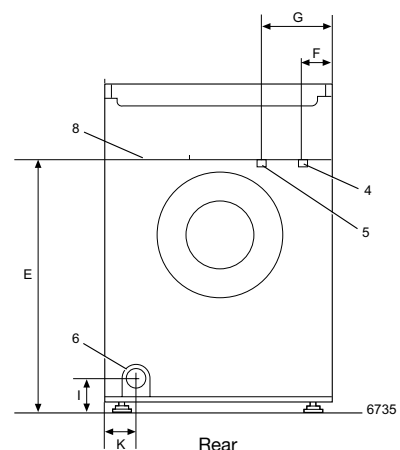
Front



Side view



Side view, pump



Rear



Tumble dryer

T5130, T5130C

Features and benefits

- **Compass Pro® microprocessor offers:**
 - Large display and one control knob for easy program selection
 - Language selection
 - Quick start and option buttons for frequently used programs
 - Drying program packages optimized for Economy, Care and Time
 - Service program for adjustment of parameters
 - USB connection
- Residual Moisture Control for an accurate drying result and a low energy consumption
- Reversing drum for less tangling of large items
- Stainless steel drum
- Reversible door hanging for a convenient laundry flow
- Easy access to vital parts from the top and rear for simple servicing
- The coin version with Ecopower to avoid over drying of the garments and get a lower energy consumption



Images shown are a representation of the product only and variations may occur.

Main options

- Stainless steel front
- Connection to booking- /payment- system or coin meter
- Stacking frame for mounting T5130 on top of W555H
- Stainless steel base frame
- Integrated condense system

Main specifications			T5130	T5130C
Rated capacity,	filling factor 1:22	kg/lb	6/13	6/13
Drum volume		litre	130	130
Drum diameter		mm	575	575
Heating alternatives				
electric		kW	5.1 / 3.2	3.0
Consumption data*				
Total time full load		min	32	55
Energy consumption full load		kWh	2.78	2.96
Evaporation		g/min	92.8	48
Energy kWh/litre water evaporated		kWh/l	0.94	1.00

* At rated capacity 100% cotton load at 50% initial moisture dried to 0%.

Electrical connections					
Heating alternative	Main voltage		Heating power kW	Total power kW	Recommended fuse A
		Hz			
Electric heated T5130	220-230V 1 ~	50/60	3.1	3.3	16
	240V 1 ~	50/60	3.2	3.5	16
	220-230V 3 ~	50/60	3.1	3.3	16
	240V 3 ~	50/60	3.2	3.5	16
	220-230V 3 ~	50/60	4.9	5.1	16
	240V 3 ~	50/60	5.1	5.4	16
	380-400V 3 ~	50/60	4.9	5.1	10
	415V 3 ~	50/60	5.1	5.3	10
	440V 3 ~	60	5.1	5.4	10
	480V 3 ~	60	5.1	5.3	10
T5130C	380-400V 3N ~	50/60	4.9	5.1	10
	440V 3 ~	60	3.0	3.4	10
	380-400V 3N ~	50/60	3.0	3.3	10
	220-230V 3 ~	50/60	2.9	3.3	10

Connections		T5130	T5130C
Air outlet	mm	ø 100	-
Maximum air flow	m³/h	240	-
Condensate		-	1/2"
Maximum static back pressure	Pa	80	-
Sound levels			
Airborne sound level	dB(A)	<70	<70
Heat emission			
% of installed power, max		15	15
Shipping data			
Shipping volume	net, kg	54	57
	crated, kg	67	70
	boxed, kg	101	101
	net, m³	0.52	0.52
crated, m³	0.63	0.63	
Accessories			
Stacking frame for mounting T5130 on top of W555H		x	x
Stainless steel base frame		x	x
Dimensions in mm			
A Width		595	595
B Depth		735	735
C Height		850	850
D		80	80
E		80	80
F		100	100
G		200	200
H		235	235
I		115	115
J		300	300
K		70	70
1 Door opening ø 370 mm		3 Exhaust connection	
2 Electrical connection		4 Condense connection	

* Other voltages available, see installation manual.

