

# Washer extractor

## W455H

### Features and benefits

- Compass Control microprocessor offers a number of useful features
  - Fast efficient wash programs
  - One knob operation for Program Selection and Start
  - Language selection
  - Large and clear display
- Automatic Weighing System (AWS) gives exact amount of water according to load
- Detergent box with four compartments for powder or liquid supply
- High extraction force for efficient dewatering
- Door with gasket and strong hinges built for heavy duty operation
- Slip-lock door handle for easy operation and immediate opening after program end
- Stainless and galvanized steel in all vital parts for high degree of rust protection
- Powder painted cabinet with grey side panels and a number of colour options on the front panel



### Main options / accessories

- Stainless steel front
- Payment systems: Single System card-reader, coinmeter (mounted on the side panel) or central payment system
- Drain pump
- Steel base to get a convenient working height
- Stacking kit to install dryer T4130 on top to save space
- Liquid supply

Main specifications				W455H
Rated capacity, filling factor 1:10		kg/lb		5.5/12
	filling factor 1:13	kg/lb		4/9
Drum, volume		litre		53
	diameter	ø mm		452
Extraction		rpm		1300
G-factor				425
Heating alternatives	electricity	kW		4.4
	non-heated			x
<b>Consumption data "Normal 60°C" * (3G01)</b>				
Total time		min		46
Water consumption (cold/hot)		litre		52/9
Energy consumption (motor/heating)*		kWh		0.2/0.35

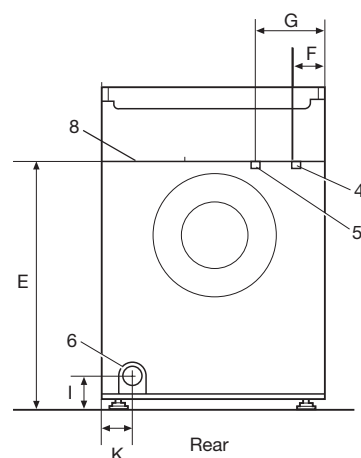
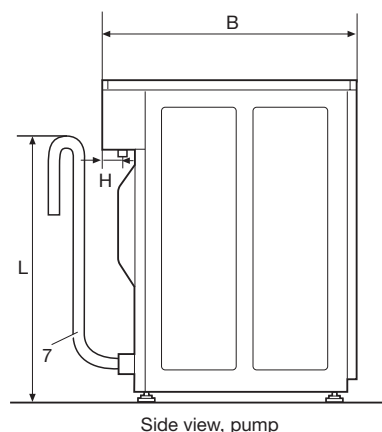
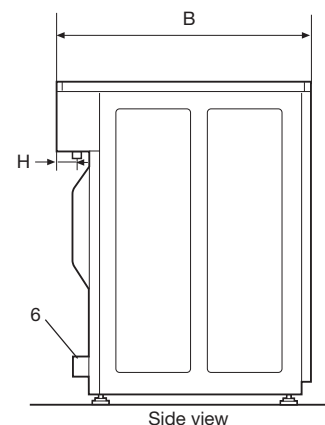
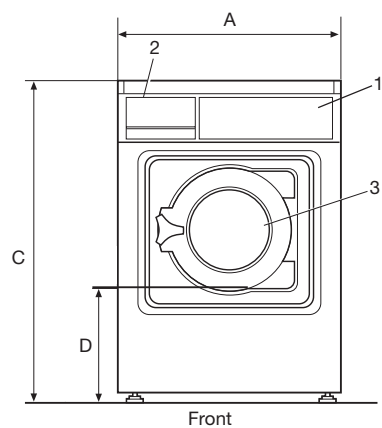
\* Water temperature 15°C cold water and 65°C hot water.

Certified in accordance with ISO 9001 and ISO 14001.

Electrical connections*			W455H
Heating	Voltage		
EI.	230V 1AC 50 Hz	kW(A)	4.8(25)
	230V 3 AC 50 Hz	kW(A)	4.8(20)
	208-240V 3AC 60 Hz	kW(A)	4.8(20)
	400-415V 3N AC 50 Hz	kW(A)	4.7(10)
Non-heated	208-240V 1AC 60 Hz	kW(A)	0.9(10)
	230V 1AC 50 Hz	kW(A)	0.9(10)
Water connections			
Water valves	DN		20
Water pressure		kPa	200-500
Capacity at 300 kPa		l/min	17
Drain valve		Ø mm	50
Draining capacity		l/min	160
Liquid detergent supplies			4
Floor requirements			
Frequency of the dynamic force		Hz	20
Max floor load at extraction		kN	1.02±0.3
Sound levels			
Sound power level**		dB(A)	70
Heat emission			
% of installed power, max			5
Shipping data			
	net, kg		99
	crated, kg		109
	boxed, kg		147
Shipping volume	crated, m <sup>3</sup>		0.47
Accessories			
Stainless steel fluff collector			x
Stacking kit with tumble dryer			x
Steel base frame for stacking			x
Dimensions in mm			
A	Width		595
B	Depth		680
C	Height		850
D			305
E			660
F			80
G			195
H			60
I			90
K			80
L			650 ± 50
1	Control panel	5	Hot water
2	Soap box	6	Drain, valve
3	Door opening ø255	7	Drain, pump
4	Cold water	8	Electrical connection

\* Other voltages available, see installation manual.

\*\* According to IEC 60704.



6206A

**Electrolux**

**ELECTROLUX LAUNDRY SYSTEMS**

Lundtoftegaardsvej 93A, DK-2800 Lyngby, Denmark  
 Telephone: +45 4526 4800. Telefax: +45 4526 4801  
 Internet: www.electrolux.com/laundrysystems  
 E-mail: els.info@electrolux.com

**The Electrolux Group. The world's No.1 choice.**

The Electrolux Group is the world's largest producer of powered appliances for kitchen, cleaning and outdoor use. More than 55 million Electrolux Group products (such as refrigerators, cookers, washing machines, vacuum cleaners, chain saws and lawn mowers) are sold each year to a value of approx. USD 14 billion in more than 150 countries around the world.

Art. No. 471150891/01 05.20  
 We reserve the right to alter specifications without notice.