

# primus

laundry equipment

Xtreme  
in innovation

## Professional Stacked Washers and Dryers

SPS10, SPSC10

SDS10, SDSC10



### FEATURES STACK UNITS

- Totally freestanding: can be installed on any floor and any level
- Reduced floor space
- OPL or Coin operated versions
- Top, front and side panels standard available in anthracite grey
- Door opens 180° for easy loading and unloading
- LED indication of the status of the program
- Time remaining countdown

### FEATURES WASHER EXTRACTORS

- Stainless steel outer and inner drum
- Industry-leading 440 G-Force extraction removes more moisture, minimizing drying times and utility costs
- Suspension with new out-of-balance logic
- Soap box with four compartments
- Standard with drain pump, drain valve optionally available
- Electrical heating or boiler-fed
- 6 wash programs
- Possibility of programming cycle modifier options » Added prewash » Extra wash time » Extra rinse

### FEATURES DRYERS

- Galvanized steel cylinder
- Oversized lint filter located in front for easy cleaning
- Powerful exhaust blower assures short drying times and low operating costs
- Electrical or gas heating
- 4 drying programs
- LED indication of the status of the program



STACKED UNIT



SUITABLE  
FOR LAUNDROMATS

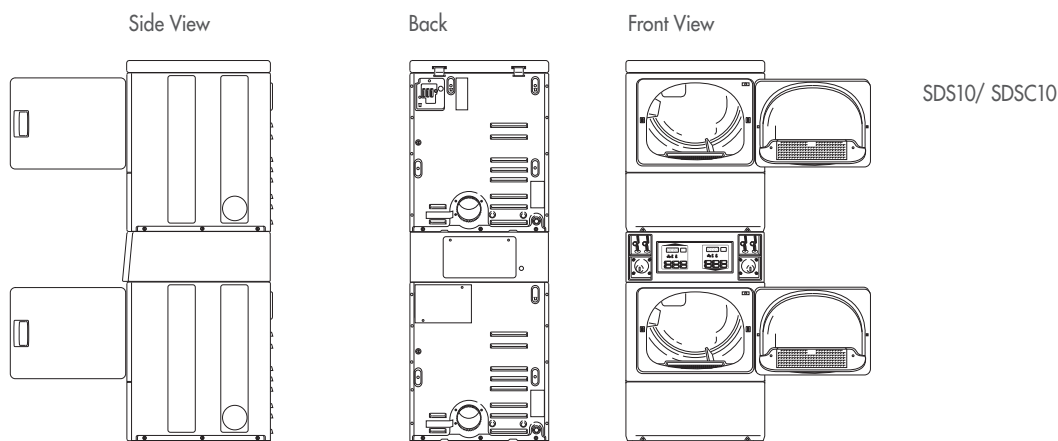
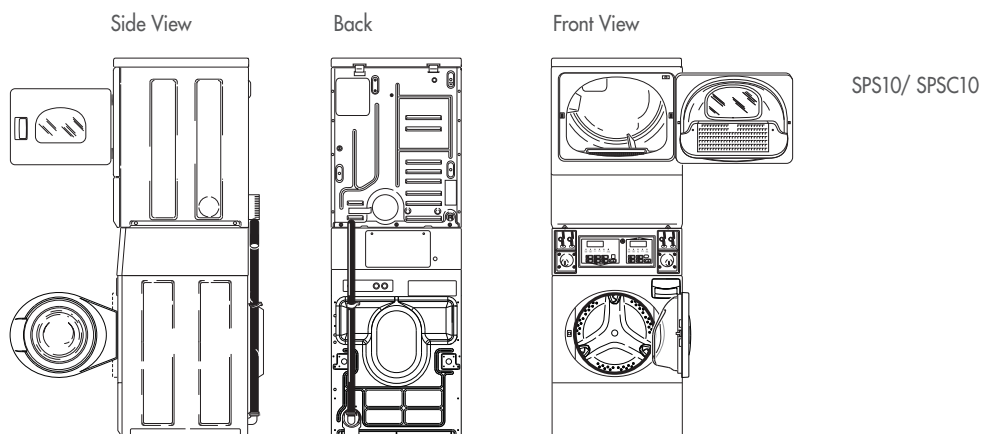


EASY OPERATION

TYPE		WASHER
CAPACITY	kg	10
DRUM VOLUME	l	96,8
MOTOR		
Frequency controlled	kW	0,67
EXTRACTION SPEED	rpm	1200
G-FACTOR		440
ELECTRICAL CONNECTION		1x220-240V 50/60Hz 3x220-240V 50Hz 3x380-415V 50Hz
ELECTRICAL HEATING	kW	4,8
DRAIN		
Pump		standard
Drain valve		available

TYPE		DRYER
CAPACITY	kg	10
DRUM VOLUME	l	198
ELECTRICAL CONNECTION		1x220-240V 50/60Hz 3x220-240V 50Hz 3x380-415V 50Hz
ELECTRICAL HEATING	kW	5,2 (230V) 5,3 (400V)
GAS HEATING	kW	7,3
MOTOR POWER	kW	0,25

TYPE		SPS10	SPSC10	SDS10	SDSC10
MODEL		washer/dryer		dryer/dryer	
USE	l	OPL	COIN	OPL	COIN
DIMENSIONS HxWxD	mm	1994x683x704		1994x683x737	
TRANSPORT DATA	kW				
Gross weight	kg	193		127 (el.) /132 (gas)	
Net weight	kg	177		120 (el.) /125 (gas)	
Volume (packed)					
Cardboard packing	m <sup>3</sup>	1,25		1,30	
Dimensions (packed) HxWxD	mm	2032x737x832		2032x737x865	



Primus preserves the right to change the machines and the specification in this leaflet at any time, without prior notice. Details and photographs are only for information and never binding.

[www.primuslaundry.com](http://www.primuslaundry.com)

ISO 9001  
ISO 14001  
BUREAU VERITAS  
Certification

