

*HIGH EFFICIENT RIGID
MOUNTED INDUSTRIAL WASHER EXTRACTORS*

AR 180 AR 240 AR 280

FEATURES

- Rigid mounted, normal spin, 100 G-factor
- Stainless steel top panel & Anthracite grey front and side panels
- Stainless steel drum and tub
- Xcontrol - easy to use microprocessor
- Patented Soap Hopper
- High capacity water inlets (AR280)
- Large drain valve (Ø 76 mm)
- Easy access to all vital parts from the front
- Large door opening for easy loading & unloading

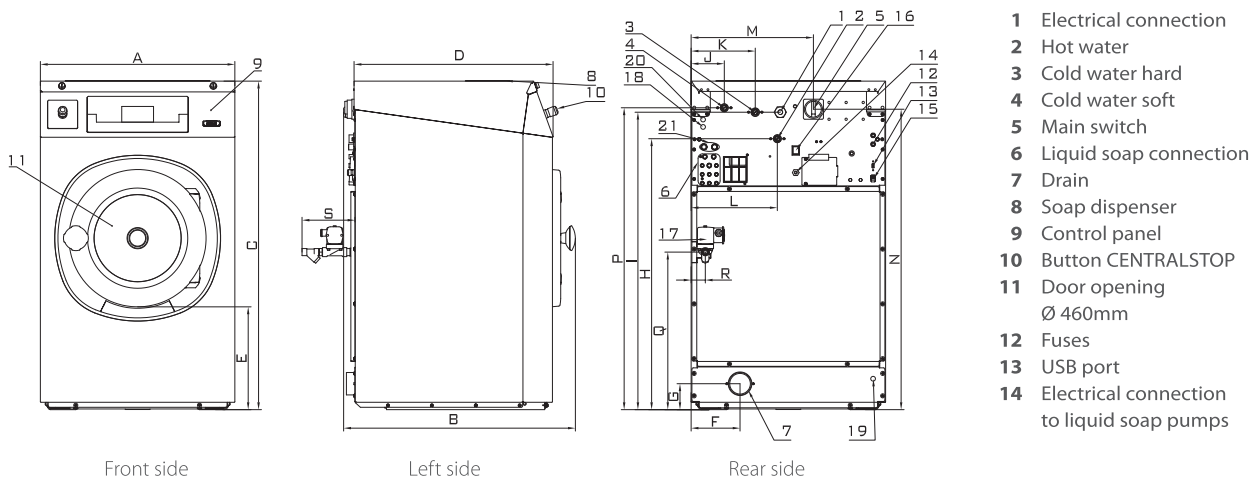
OPTIONS

- 200 G-factor execution
- Xcontrol Plus - Fully programmable
- Coin operated timer (CPS)
- Stainless steel front and side panels
- USB plug (on the back panel)
- Easy Soap - liquid soaps connection
- Liquid soap pumps
- Water recovery kit
- Steam heating version
- High capacity water inlets (AR180, 240)



TYPE		AR180	AR240	AR280
INNERDRUM				
maximum capacity 1:9	kg	20	27	32
capacity 1:10	kg	18	24	28
volume	litres	180	240	280
diameter	mm	750	750	750
DRUM SPEED				
wash	rpm	42	42	42
extraction	rpm	490 (690)*	490 (690)*	490 (690)*
G-FACTOR		100 (standard) 200*	100 (standard) 200*	100 (standard) 200*
HEATING				
electricity (standard)	kW	12 / 18	18	22
steam	bar	1 - 8	1 - 8	1 - 8
hot water	°C	90	90	90
Sound pressure level	dB (A)	< 65	< 65	< 65
Water valves connection	BSP	3/4"	3/4"	3/4"
Water pressure	kPa	100-800	100-800	100-800
Rec. water pressure	kPa	300-500	300-500	300-500
Water inlet	l/min	20	20	20
Drain valve	outer Ø mm	76	76	76
Flow amount with drain valve	l/min	210	210	210
Steam valve connection	BSP	1/2"	1/2"	1/2"
Steam pressure	kPa	100-800	100-800	100-800
DIMENSIONS				
Size HxWxD	mm	1410x890x915	1410x890x1060	1410x890x1135
TRANSPORT DATA				
Gross	kg	270 (335)*	290 (355)*	305 (385)*
Net	kg	255 (315)*	275 (330)*	290 (355)*
Packed HxWxD	mm	1550x925x970	1550x925x1130	1550x925x1190

* 200 G-factor execution



- 1 Electrical connection
- 2 Hot water
- 3 Cold water hard
- 4 Cold water soft
- 5 Main switch
- 6 Liquid soap connection
- 7 Drain
- 8 Soap dispenser
- 9 Control panel
- 10 Button CENTRALSTOP
- 11 Door opening
Ø 460mm
- 12 Fuses
- 13 USB port
- 14 Electrical connection
to liquid soap pumps

DIMENSIONS

	A	B	C	D	E	F	G	H	I	J	K	L	M	N	P	Q	R	S
AR180	890	915	1410	815	465	280	130	1212	1297	113	218	303	625	1270	1317	528	54	120
AR240	890	1060	1410	960	465	280	130	1212	1297	113	218	303	625	1270	1317	528	54	120
AR280	890	1135	1410	1035	465	280	130	1212	1297	113	218	303	625	1270	1317	528	54	120
	width	depth	height															



Lavamac preserves the right to change the machines and the specification in this leaflet at any time, without prior notice. Details and photographs are only for information and never binding.