

# High Spin Industrial Washer Extractor LH 800, LH 1000, LH 1250

## FEATURES

- Freestanding, high spin
- Stainless steel cabinet (AISI 304)
- Stainless steel drum and tub
- XControl Plus
  - fully programmable microprocessor
- Extra large door opening  
(LH800, LH1000 Ø530 mm,  
LH1250 Ø650 mm)
- Two large drain valves (Ø103 mm)
- Easy access to all parts
- Standard liquid soap connections
- Frequency controlled motor
- PowerWash® perforated lifting ribs:  
more mechanical action, lower water  
consumption
- Air operated water inlet
- SuperEco washing programmes
  - significantly reduces water and  
electricity consumption
- Patented soap dispenser with  
5 removable compartments

## OPTIONS

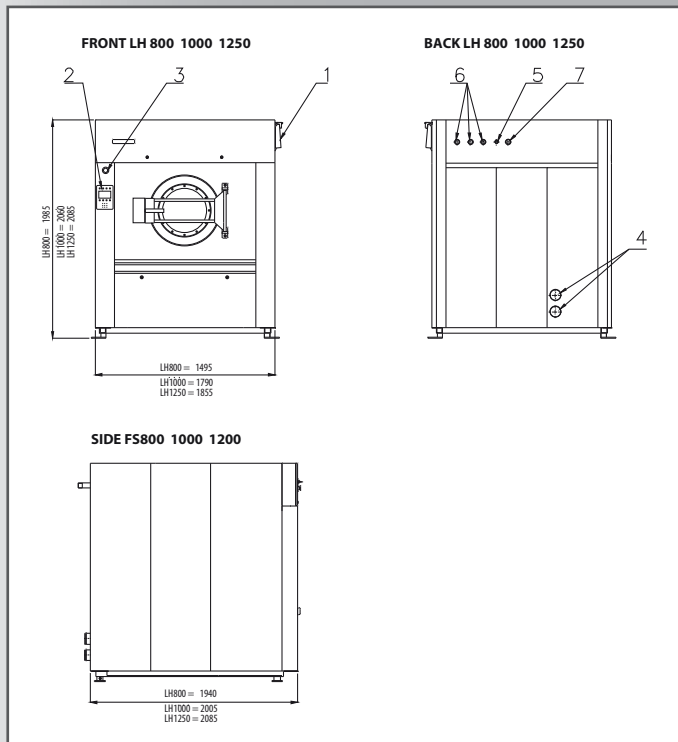
- Liquid soap pumps
- Trace-Tech® traceability software and networking system
- Electrical heating
- Forward and backward tilting is available. Tilting of the machine is done by external platform



TYPE		LH 800	LH 1000	LH 1250
<b>CAPACITY</b>				
Drum volume	l	807	1003	1180
Capacity	kg	80	100	120
	lbs	176	225	270
Drum diameter	mm	Ø1110	Ø1200	Ø1300
<b>MOTOR</b>				
Frequency controlled		standard	standard	standard
<b>DRUM SPEED</b>				
Wash speed	rpm	36	33	32
Spin speed	rpm	750	720	695
G-Factor spin speed		350	350	350
<b>PROGRAMMER</b>				
Xcontrol Plus microprocessor		standard	standard	standard
<b>CABINET</b>				
Stainless steel AISI 304		standard	standard	standard
<b>DRUM</b>				
Stainless steel AISI 304		standard	standard	standard
<b>HEATING</b>				
Electrical	kW	67,5	-	-
Steam high pressure	bar	3-8	3-8	3-8
	psi	44-116	44-116	44-116
<b>CONNECTION</b>				
Electrical		3x380-480V 50/60Hz 3x208-240V 50/60Hz	3x380-480V 50/60Hz 3x208-240V 50/60Hz	3x380-480V 50/60Hz 3x208-240V 50/60Hz
	kW	11,25	15,25	18,75
Water inlet	inch	3x1 1/2"	3x1 1/2"	3x1 1/2"
Steam inlet inch	mm	1"	1"	1"
Compressed air inlet	mm	Ø8	Ø8	Ø8
Drain	inch	2x103 2x4"	2x103 2x4"	2x103 2x4"
<b>DIMENSIONS HxWxD</b>				
	mm	1985x1495x1940	2060x1790x2005	2085x1855x2085
<b>TRANSPORT DATA</b>				
Gross weight				
Case packaging	kg	2830	3410	3710
Net weight	kg	2640	3170	3480
Volume (packed)	m <sup>3</sup>	7,25	9,29	10,16
Case packaging HxWxD	mm	2220x1690x1950	2345x1865x2125	2340x2000x2170

- = Not available, Standard = Standard execution

The data concerning dimensions of machines include all extended parts



1. Soap hopper
2. Key board
3. Emergency stop
4. Drain valves
5. Steam connection
6. Water inlets
7. Drum ventilation

Lavamac preserves the right to change the machines and the specification in this leaflet at any time, without prior notice. Details and photographs are only for information and never binding.

[www.lavamac.eu](http://www.lavamac.eu)

