

Tumble dryers

T3530, T3650

Features and benefits

- High productivity - 2 full loads per hour.
- Selection of temperature and time for easy operation.
- Large door opening for easy loading and unloading.
- Only one external connection for electricity, utility and exhaust for simple installation.
- Large selfcleaning lint screen for easy maintenance.
- Easy access to vital parts from front and rear for simple servicing.
- Microprocessor control
 - Accurate temperature control for unmatched drying accuracy.
 - Anti-crease cycle for avoiding creasing if the dryer is not unloaded.
- Serviceprogram for adjustment of 14 parameters eg. temperature, cool-down time.



Main options

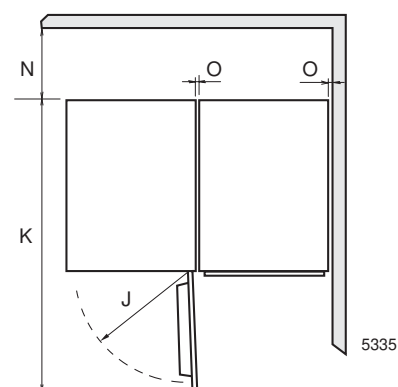
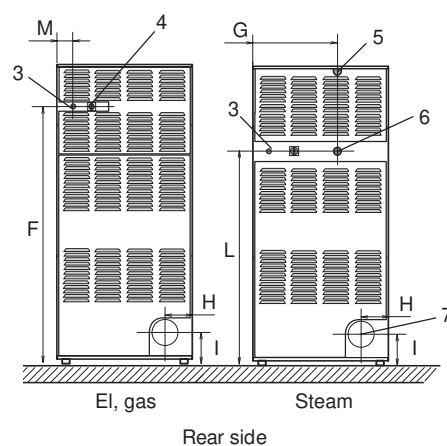
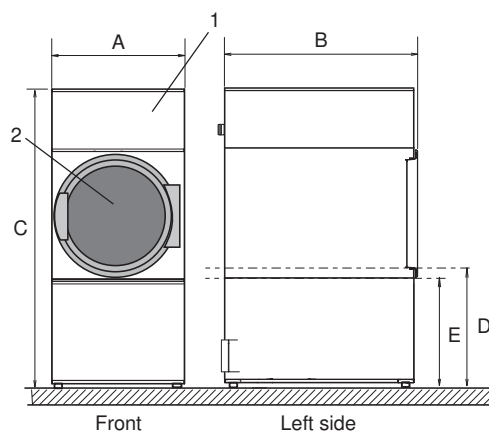
- Stainless steel front and/or side and top.
- Stainless steel drum.
- Residual Moisture Control - RMC.
- Payment: coinmeter, chip card reader, CP connection, intelligent communication.
- Reversing drum.
- Heat recovery system: Heat Recovery Pipes (HRP).
- Special versions (dryer + option package):
Aqua Clean variant includes stainless steel front, stainless steel drum, RMC and reversing drum.

Main specifications		T3530				T3650			
Rated capacity	kg/lb	23/51				34/75			
Drum volume	litre	528				650			
Drum diameter	mm	913				913			
Heating alternatives									
electric	kW	24/30				30/36			
gas	BTU/h (kW)	143 400 (42)				194 600 (57)			
steam at 6-7 Bar	kW	46				46			
Consumption data*		24 kW	30 kW	Gas	Steam	30 kW	36 kW	Gas	Steam
Total time full load	min	36	31	22	28	43	37	23	37
Energy consumption full load	kWh	13.7	14.2	15	23	20.2	20.9	21.9	28
Evaporation	g/min	319	369	524	451	397	461	749	456
Energy kWh/litre water evaporated	kWh	1.2	1.26	1.32	1.84	1.19	1.23	1.27	1.64

* At rated capacity 100% cotton load at 50% initial moisture dried to 0%.

Certified in accordance with ISO 9001 and ISO 14001 and approved IP 42.

Electrical connections			T3530	T3650
Heating Voltage				
El.	200-240V 3AC 50/60 Hz	kW(A)	26 (80)	32 (100)
		kW(A)	32 (100)	-
	400-440V 3NAC 50/60 Hz	kW(A)	26 (50)	32 (50)
		kW(A)	32 (50)	38 (63)
Gas or steam	230-240V 3AC 50/60 Hz	Motor kW(A)	2 (10)	2 (10)
	400-440V 3NAC 50/60 Hz	Motor kW(A)	2 (10)	2 (10)
	230V 1AC 50 Hz	Motor kW(A)	2 (10)	2 (10)
	120V 1AC 60 Hz	Motor kW(A)	2 (20)	2 (20)
Steam, gas and air connections				
Steam		DN	20	20
Steam pressure		kPa	100-1000	100-1000
Steam consumption		kg/h	80-86	80-86
Condensate		DN	20	20
Gas		DN	15	15
Gas pressure	Natural gas	Pa	2000	2000
		mbar	20	20
	Propane	Pa	2800-5000	2800-5000
		mbar	28-50	28-50
Air outlet		mm	Ø 200	Ø 200
Evacuated air,	el	m ³ /h	1060	1500
	steam		1160	1500
	gas		1380	1500
Pressure drop (el/steam/gas)		Max. Pa	200/200/60	340
Sound levels				
Airborne sound level		dB(A)	<70	<70
Weight (el/steam/gas)				
Shipping volume		net, kg	355/355/332	350/355/345
		crated, kg	370	371
		boxed, kg	455	476
		crated, m ³	2.62	3.06
		boxed, m ³	2.93	3.68
Accessories				
Heat recovery pipes			HRP530	HRP530
Dimensions in mm				
A	Width		960	960
B	Depth		1180	1370
C	Height		1995	1995
D			720	720
E			650	650
F			1725	1725
G			595	595
H			155	155
I			225	225
J			960	960
K			2120	2300
L			1510	1510
M			270	270
N			500	500
O			10	10
1	Control panel	5	Steam connection	
2	Door opening ø 810	6	Condensate connection	
3	Electrical connection	7	Exhaust connection	
4	Gas connection			



Electrolux

ELECTROLUX LAUNDRY SYSTEMS

SE- 341 80 Ljungby, Sweden.

Telephone +46 (0)372 661 00. Telefax +46 (0)372 133 90

Internet: www.electrolux.com/wascator

E-mail: info@wascator.electrolux.se

438 9082-41/01
00.08

We reserve the right to alter specifications without notice.