

lagoon[®] Advanced Care

WH6-27LAC and TD6-30LAC

The ideal replacement for any dry-cleaning operation



Features and benefits



Keep customers coming back

Outstanding results for garments of every type thanks to specialized detergents and dedicated programs



Delicate on the delicates

Gentle on fine textiles and wools labelled dry-clean only, as less mechanical action. Woolmark-approved



Rapid return on investment

With a better loading factor, less prespotting, easier finishing and faster process times



Sustainable and eco-friendly

Water-based cleaning with none of the disadvantages of PERC, which can be dangerous to staff



Dry to dry in 1 hour

Smart chemicals and processes mean garments are fully dried in the dryer - no hang-dry

Main specifications				WH6-27LAC
Rated capacity, Laundry	filling factor 1:9	kg	27	
	Wool filling factor 1:13	kg	19	
	Silk filling factor 1:18	kg	14	
Drum, volume		litre	240	
	diameter	∅ mm	795	
Extraction		rpm	1005	
G-factor			450	
Heating alternative	electricity	kW	23.0	
Consumption data "lagoon"				
Total time	Wool High	min	25	
	Wool Medium	min	25	
	Silk	min	18	
	Synth. mix Medium	min	26	
	Synth. mix Low	min	21	
	Curtains	min	25	
Water consumption (cold+hot)	Wool High	litre	137	
	Wool Medium	litre	112	
	Silk	litre	98	
	Synth. mix Medium	litre	119	
	Synth. mix Low	litre	98	
	Curtains	litre	141	
Energy consumption (motor/heating/water)	Wool High	kWh	0.7/1.25	
	Wool Medium	kWh	0.7/1.05	
	Silk	kWh	0.6/0.7	
	Synth. mix Medium	kWh	0.6/1.4	
	Synth. mix Low	kWh	0.6/1.15	
	Curtains	kWh	0.7/1.0	
Consumption data ECO 60 1:9*				
Total time		min	65	
Water consumption (cold+hot)		litre	161+10	
Energy consumption (motor/heating/hot water)		kWh	0.55/3.2/0.55	
Residual moisture		%	45	

* Water temperature 15°C cold water and 65°C hot water.

Main specifications				TD6-30LAC		
Rated capacity, Drying	filling factor 1:18	kg	30.5			
Drum, volume		litre	550			
	diameter	∅ mm	913			
Heating alternative	electricity	kW	32.0			
	gas	BTU/h (kW)	11 2700 (33.0)			
	steam at 600-700 kPa		36.0			
Consumption data "lagoon"				El	Gas	Steam
Total time	Wool High*	min	22	23	22	
	Wool Medium*	min	20	21	20	
	Synthetic mix**	min	13	14	13	
Consumption data***						
Total time		min	23	24	23	
Energy consumption (motor/heating/hot water)		kWh	12.19	13.27	15.24	
Evaporation		g/min	543	512	550	
Energy/Water evaporation		kWh/l	0.98	1.06	1.22	

* 1:30 load 100% wool load at 30% initial moisture dried to 0%.

** 1:40 load 100% synthetic load at 20% initial moisture dried to 0%.

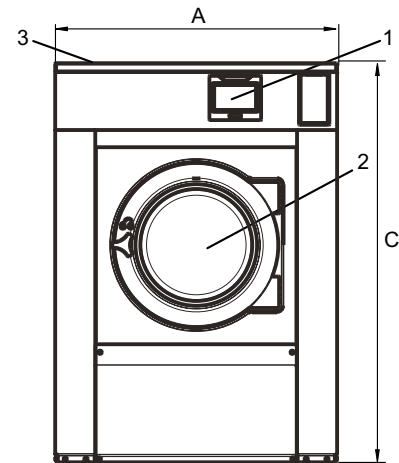
*** At rated capacity 100% cotton load at 50% initial moisture dried to 0%.

Electrical connections					
Heating alternative	Main voltage		Heating power kW	Total power kW	Recommended fuse A
		Hz			
Electric heated	220-230V 3 ~	50/60	19.1	20.2	63
	220-240V 3 ~	50/60	19.8/23.0	20.9/24.1	63/63
	380-400V 3N ~	50/60	19.1	20.2	32
	380-415V 3N ~	50/60	19.8/23.0	20.6/24.1	32/50
Steam or Non heated	220-415V 1/1N ~ 50/60		*	1.3	10

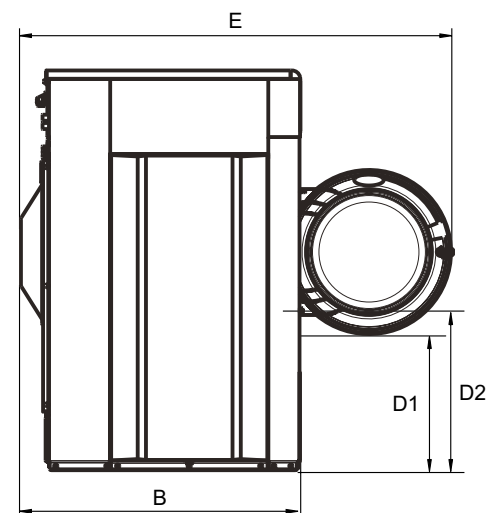
* Total power and recommended fuse does not depend on the heating power in those cases.

** Prepared for 3 ~.

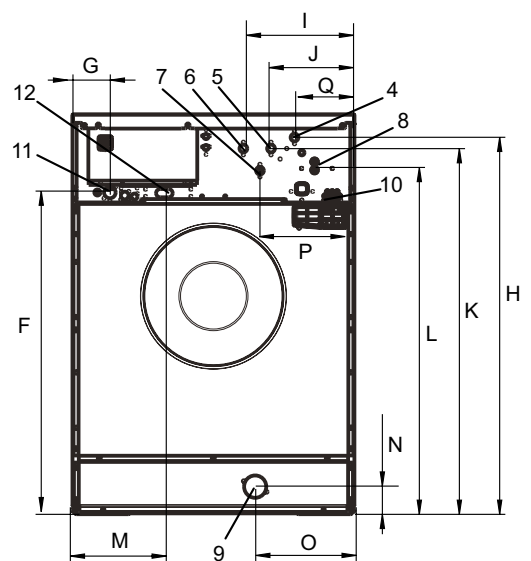
Water and steam connection		WH6-27LAC
Water valves	DN	20
Water pressure	kPa	200-600
Capacity at 300 kPa	l/min	60
Drain valve	ø mm	75
Draining capacity	l/min	170
Steam valve	DN	15
Steam pressure	kPa	300-600
Liquid detergent supplies		5
Floor requirements		
Frequency of the dynamic force	Hz	16.8
Floor load at max extraction	kN	5.2 ± 1.0
Sound levels		
Sound power/pressure level at extraction*	dB(A)	83/68
Sound power/pressure level at wash*	dB(A)	64/48
Heat emission		
% of installed power, max		5
Shipping data**		
Weight	net, kg	425
Shipping volume	m ³	1.82
Accessories		
Steel base		x
Hose kits for water or steam		x
Fluff collector		x
Dimensions in mm		
A	Width	1020
B	Depth	990
C	Height	1460
D1		490
D2		555
E		1555
F		1165
G		135
H		1365
I		400
J		300
K		1325
L		1245
M		335
N		100
O		360
P		340
Q		215
1	Display	7 Cold/Hot water or Re-used water with network pressure (option)
2	Door opening ø 435 mm	8 Re-used water from tank/pump or Liquid detergent supply
3	Detergent box	9 Drain
4	Cold/Hot water (Detergent box)	10 Liquid detergent supply
5	Cold water	11 Electrical connection
6	Hot water	12 Steam connection



Front



Side view



Rear

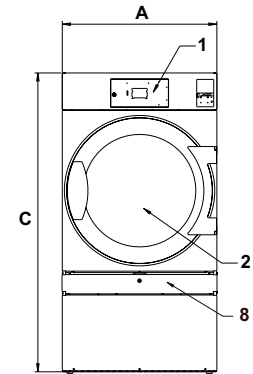
* Sound power levels measured according to ISO 60704.

** Average data. Crated weight/shipping volume depends on configuration. Please contact logistics for exact measures.

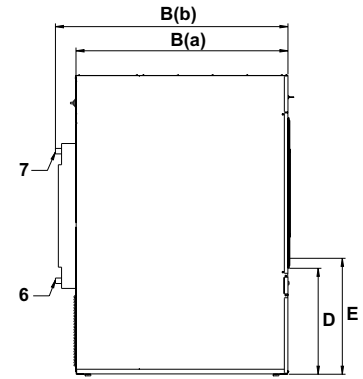
Electrical connections

Heating alternative	Main voltage		Heating power kW	Total power kW	Recommended fuse A
		Hz			
Electric heated	220-230V 3 ~	50/60	18.0/24.0/32.0	19.5/25.5/33.5	50/80/100
	240V 3 ~	50/60	18.0/24.0/32.0	19.5/25.5/33.5	50/63/100
	380-415V 3N/3 ~	50/60	18.0/24.0/32.0	19.5/25.5/33.5	35/50/50
	440V 3 ~	60	24.0/32.0	26.7/34.7	35/50
	480V 3 ~	60	24.0/32.0	26.7/34.7	35/50
Gas heated/ Steam heated	220-240V 1/1N ~	50/60	-	1.8	10
	220-480V 3/3N ~	50/60	-	1.5	10

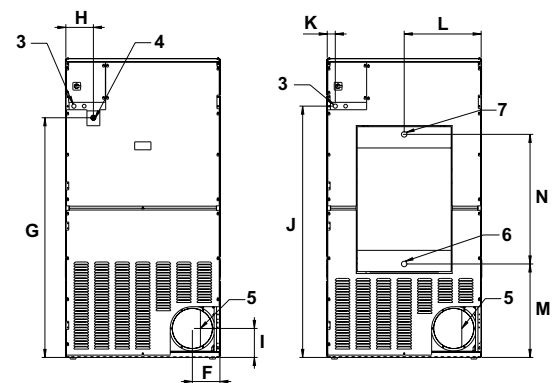
* Total power and recommended fuse does not depend on the heating power in those cases.



Front



Left side



El, gas

Steam

Rear side

Steam, gas and air connections		TD6-30LAC	
Steam		ISO 7/1-R	1"
Steam pressure		kPa	100-1000
Steam consumption		kg/h	65
Condensate		ISO 7/1-R	1"
Gas	NG/PG	ISO 7/1-R	1/2"
Gas pressure	Natural gas	Pa	2000
		mbar	20
		Pa	2800-3700
	Propane	mbar	28-37
Air outlet		ø mm	200
Maximum air flow:			
	Electric 50 Hz / 60 Hz	m ³ /h	940 / 940
	Gas 50 Hz / 60 Hz	m ³ /h	940 / 940
	Steam 50 Hz / 60 Hz	m ³ /h	1080 / 1080
Maximum static back pressure:			
	Electric 50 Hz / 60 Hz	Pa	480 / 950
	Gas 50 Hz / 60 Hz	Pa	420 / 900
	Steam 50 Hz / 60 Hz	Pa	1300 / 1550
Sound levels			
Sound power/pressure level at drying*		dB(A)	74/57
Heat emission			
% of installed power, max			15
Shipping data**			
Shipping volume	net, kg		280
	crated, m ³		2.80
Dimensions in mm			
A	Width		960
B(a)	Depth		1365
B(b)	Depth		1445
C	Height		1855
D			660
E			720
F			170
G			1490
H			200
I			180
J			1560
K			50
L			480
M			580
N			805
1 Control panel 2 Door opening ø 810 mm 3 Electrical connection 4 Gas connection 5 Exhaust connection 6 Condensate connection 7 Steam connection 8 Lint screen			

* Sound power levels measured according to ISO 60704.

** Average data. Crated weight/shipping volume depends on configuration. Please contact logistics for exact measures.



Jetsave PNCs	Description
988930001	Complete kit with 2 pumps, 550 ml/min
988930002	Complete kit with 3 pumps, 550 ml/min
988930003	Complete kit with 4 pumps, 550 ml/min
988930004	Complete kit with 5 pumps, 550 ml/min

Accessories PNCs	Description
988916611	Single low level probe
432930071	Extension POWER cable (6m)
432930072	Extension DATA cable (6m)
988980031	ID interface for 3rd part party peristaltic pumps or option for Low level alarm
432930065	Joining kit

Power supply
From the washer extractor: 100-240V- 50/60 Hz / 0.1A (Max)

Water supply
Min. 1.8 bar
Max. 6 bar

Electrolux Professional name and description	Packaging 20 litres	Packaging 10 litres
W01 - lagoon Sensitive Detergent Professional detergent for natural/animal fiber	432731085	432731086
W03 - lagoon Sensitive Conditioner Professional conditioner for natural/animal fiber	432731087	432731088
W02 - lagoon Delicate Detergent Professional delicate universal detergent	432731089	432731090

For further information including spotting agents, please refer to the lagoon detergent Product Data Sheet



BASE; closed front and sides

Suitable for models: WH6-27LAC
988918871

Height: 230 mm

Material: Galvanised, silver grey painted steel
with stainless steel front panel.

BASE; "floating foundation"

Suitable for models: WH6-27LAC
988918872

Material: Galvanised, silver grey painted steel with
stainless steel front panel.

Feature: A "floating foundation" filled with
concrete eliminates noise to other parts
of the building.