

Clean Room Tumble dryer

T4900CR, T41200CR

Features and benefits

- Contamination control tumble dryer
- High productivity
- Constant airflow over time for a process always under control
- Electropolished drum
- Side access for lint chamber cleaning
- Easy access to HEPA filter housing for quick replacement (HEPA filter is not included from factory)
- Stainless steel drum, outer drum, front and sides
- Reversing drum
- Large door opening for easy loading and unloading
- Static prevention system
- Fully automatic pneumatic damper in the outlet to avoid contamination
- Compass Control
 - Selection of temperature and time for easy operation
 - Indication on HEPA filter lifetime
 - Batch number key in

Main options

- Drum speed control
- Stainless steel 316 drum and outer drum
- Connection to CMIS traceability system for process reporting



Images shown are a representation of the product only and variations may occur.

Main specifications			T4900CR		T41200CR	
Rated capacity,	filling factor 1:30	kg/lb	30/60		40/90	
	filling factor 1:20	kg/lb	45/100		60/135	
Drum volume		litre	900		1200	
Drum diameter		mm	1240		1240	
Heating alternatives	steam	kW	72		72	
	el	kW	60		72	
Consumption data*			Steam	El	Steam	El
Total time		min	18	16	23	20
Energy consumption		kWh	21.8	14.8	24.9	23.2
Evaporation		g/min	667	750	696	844
Energy kWh/litre water evaporated		kWh/l	1.87	1.23	1.55	1.38

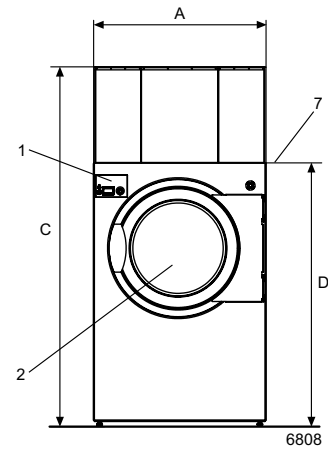
* With filling factor 1:30, 100% polyester load at 42% initial moisture dried to 0%.

Produced according to ISO 9001 and ISO 14001.

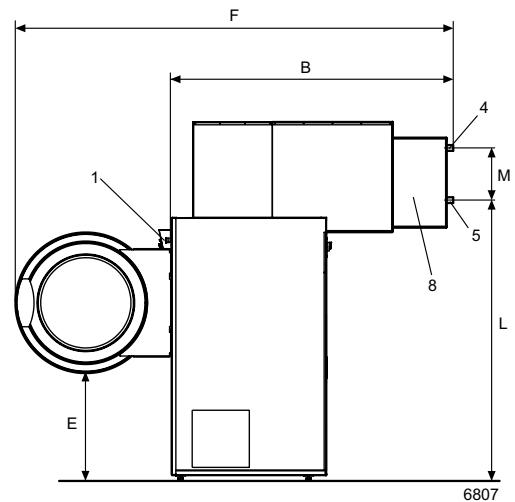
Certified with CB certificate for Low Voltage Directive and S-mark according to the Machinery Directive. Protection class IP X4D.

Electrical connections*		T4900CR	T41200CR
Heating Voltage			
EI	400-415V 3 AC 50 Hz kW(A)	63 (100)	75 (125)
	400-480V 3 AC 60 Hz kW(A)	63 (100)	75 (125)
Steam	200-240V 3 AC 50/60 Hz kW(A)	3.7 (20)	3.7 (20)
	400-415V 3 AC 50 Hz kW(A)	3.7 (16)	3.7 (16)
	400-480V 3 AC 60 Hz kW(A)	3.7 (16)	3.7 (16)
Steam and air connections			
Steam	ISO 228/1-G1	1 1/4"	1 1/4"
Steam pressure	kPa	400-1000	400-1000
Steam consumption	kg/h	143	143
Condensate	ISO 228/1-G1	1 1/4"	1 1/4"
Air outlet	ø mm	315	315
Evacuated air,	steam	2300	2500
	electric	2300	2500
Pressure drop	Max. Pa	100	100
Compressed air	ø	8	8
Air pressure	kPa	400-1000	400-1000
Sound levels			
Airborne sound level	dB(A)	<70	<70
Heat emission			
% of installed power, max		15	15
Shipping data			
Heating unit, steam/electric	net, kg	67/62	67/62
Filter unit	net, kg	172	172
Machine frame	net, kg	447	497
Heating unit, steam/electric	crated, kg	77/72	77/72
Filter unit	crated, kg	226	226
Machine frame	crated, kg	477	527
Shipping volume, Heating unit	m ³	0.61	0.61
Shipping volume, Filter unit	m ³	2.57	2.57
Machine frame	m ³	6.26	6.77
Dimensions in mm			
A	Width	1290	1290
B	Depth	2115	2305
C	Height	2690	2690
D	(with top removed)	1940	1940
E		805	805
F		3290	3480
G		220	220
H		230	230
I		1560	1560
K		85	85
L		2070	2070
M		390	390
N		800	800
O		2530	2530
P		369	369
R		620	620
S		40	40
1 Control panel 2 Door opening ø 940 3 Electrical connection 4 Steam connection 5 Condensate connection 6 Exhaust connection 7 Delivery height 8 Heating unit 9 Air intake			

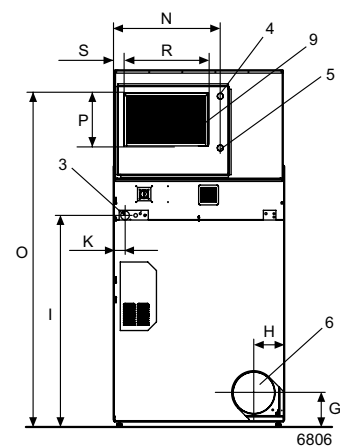
* Other voltages available, see installation manual.



Front



Right side



Rear side