

# Tumble dryer

## TD6-17S



**Dryer featuring exceptional savings and effortless use**



### Priority on people

Certified ergonomic design with a human-centered approach for an outstanding user experience

- Lint filter  
The horizontal filter drawer is positioned for easy access and cleaning without the need to bend down
- Large door opening for easy loading and unloading
- Easy access to vital parts from front and rear for simple servicing
- Simple use operational panels with selection of temperature and time for easy operation and selection



### Long-term savings

Innovative features to save money and time, and embrace a sustainable lifestyle with excellent water evaporation efficiency per kWh

- Moisture Balance (optional)  
Helps to stop the drying process at the right time to save on energy costs
- The coin version with Ecopower to avoid over drying of the garments and get a lower energy consumption



### Pure control

Monitor your equipment and performance from anywhere, allowing to take action and to improve your business with OnE Laundry - the personal assistant for hygiene validation management, process management and revenue management (optional)



### Outstanding productivity

Dry more laundry in less time: a game-changing improvement

- Reversing drum  
Minimizes wrinkles and drying time to get an effective and even drying performance with 2 full loads per hour per pocket

### Main options and accessories

- Payment: coinmeter with Ecopower  
The coin version with Ecopower to avoid over drying of the garments and get a lower energy consumption
- Stainless steel drum, Stainless steel front



Images shown are a representation of the product only and variations may occur.

Main specifications**			TD6-17S			
Rated capacity, filling factor 1:18	kg/lb		16.7/37			
	kg/lb		13.6/30			
Drum volume	litre		300			
Drum diameter	mm		760			
Heating	gas	BTU/h (kW)	71 700 (21)			
	el	kW	9.0 / 13.5 / 18.0			
<b>Consumption data*</b>			Gas	EI 9.0 kW	EI 13.5 kW	EI 18.0 kW
Total time at 13.6 kg	min		21	43	29	24
Energy consumption at 13.6 kg	kWh		7.11	6.65	6.51	6.51
Evaporation	g/min		329	160	231	279
Energy kWh/litre water evaporated	kWh/l		1.03	0.96	0.97	0.97

\* At rated capacity 100% cotton load at 50% initial moisture dried to 0%.  
 \*\* Value per pocket

Electrical connections					
Heating alternative	Main voltage		Heating power kW	Total power kW	Recommended fuse A
	Hz				
Electric heated*	220-240V 3 ~	50/60	9.0	10.0	25
	380-415V 3N/3 ~	50/60	9.0/13.5/18.0	10.0/14.5/19.0	16/25/32
	440V 3 ~	60	9.0/13.5/18.0	10.0/14.5/19.0	16/20/32
	480V 3 ~	60	9.0/13.5/18.0	10.0/14.5/19.0	16/20/25
Gas heated**	220-480V 1/1N/3/3N ~	50/60	-	2.0	10

\* Per pocket  
 \*\* Complete machine.

Gas and air connections			TD6-17S
Gas		ISO 7/1-R	1/2"
Gas pressure	Natural gas	Pa	2000
		mbar	20
Propane		Pa	2800-5000
		mbar	28-50
Air outlet		ø mm	200
Evacuated air,	gas/el	m <sup>3</sup> /h	600
Pressure drop	gas/el	Max. Pa	400

Sound levels	
Sound power/pressure level at drying*	dB(A) 76/60

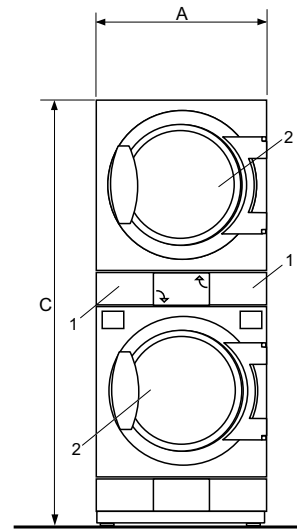
Heat emission	
% of installed power, max	15

Shipping data**	
net, kg	289
crated, m <sup>3</sup>	2.03

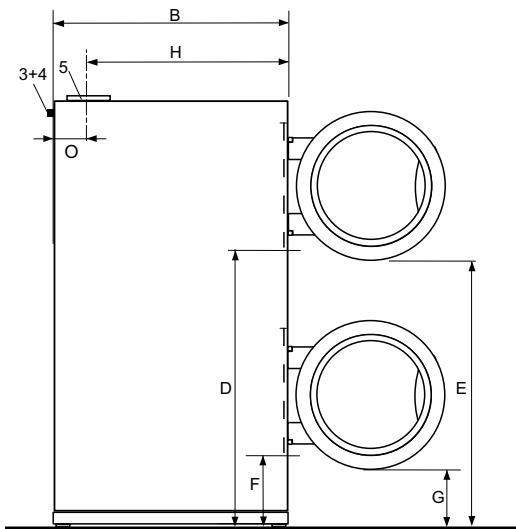
Dimensions in mm	
A Width	790
B Depth	1115
C Height	1940
D	1270
E	1210
F	320
G	260
H	905
I	140
J	1930
K	30
L	105
M	1840
N	740
O	210

- 1 Operating panel
- 2 Door opening ø 580 mm
- 3 Electric connection
- 4 Gas connection
- 5 Exhaust connection

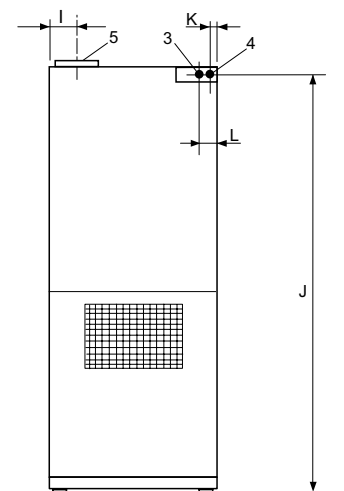
\* Sound power levels measured according to ISO 60704.  
 \*\* Average data. Crated weight/shipping volume depends on configuration. Please contact logistics for exact measures.



Front



Left side



Rear side

