

Washer extractor

WS6-35 Compass Pro



Washer featuring exceptional savings and effortless use



Priority on people

Certified ergonomic design with a human-centered approach for an outstanding user experience

Compass Pro® microprocessor offers:

- Easy program selection
- Language selection
- Quick selection and option buttons for the most frequently used wash programs and options
- Wash program packages optimized on Economy, Performance and Time



Long-term savings

Extremely low water and energy consumption – see table below

- Automatic Savings weighs the linen and adjusts the water level to the amount of linen, saving water and energy at less than full load
- High extraction force for efficient dewatering
- Power Balance measures, corrects the unbalance and adjusts the G force in real time, maximizing the dewatering, saving money and time in the drying process



Pure control

Monitoring of the status of the equipment and performance from anywhere, allowing to take action to improve the business

- Washers connectable to OnE Laundry, the personal assistant for hygiene validation, process management and revenue management



Global Advanced Hygiene

Global Advanced Hygiene program package* with proven log 6 reduction** disinfection of textiles through the laundry process, fulfilling the criteria of all local approved standards

Main options

- Automatic liquid detergent supply (optional I/O board)
- Savings on chemicals with help of Efficient dosing, both ED peristaltic pumps and ED Venturi
- Connection to booking- /payment- system or coin meter



Images shown are a representation of the product only and variations may occur.

* Programs available in the standard library of all products, excluding products for specific segments where water temperature is not controllable.

** Log 6 reduction equals to 99,9999% viral infectivity reduction. The efficacy of reduction of SARS-CoV-2 and other pathogens in the process is confirmed by RISE (The Research Institute of Sweden) on the basis of Electrolux Professional laboratory data.

Main specifications				WS6-35			
Rated capacity, filling factor 1:9	kg/lb			35/75			
Drum, volume	litre			330			
	diameter	ø mm		795			
Extraction		rpm		671			
G-factor				200			
Standard heating alternatives	electricity	kW		19.1 / 19.8 / 23.0			
	steam			x			
	non-heated			x			
Consumption data "Normal 60°C"				EI		Steam***	
Total time	min	Full load, 35 kg	Half load, 17.5 kg	Full load, 35 kg	Half load, 17.5 kg	Full load, 35 kg	Half load, 17.5 kg
Water consumption (cold+hot)	litre	51	47	51	47	279+0	148+0
Energy consumption (motor/heating/hot water)	kWh	222+57	118+30	0.45/-	0.4/-	7.95	4.13
Steam consumption	kg	0.45/1.65/3.65	0.4/0.85/1.9	-	-	58	66
Residual moisture	%	-	-	58	66	58	66

* Water temperature 15°C cold water and 65°C hot water.

** Programs with AS.

*** Depending on steam pressure.

Electrical connections					
Heating alternative	Main voltage		Heating power kW	Total power kW	Recommended fuse A
		Hz			
Electric heated	220-230V 3 ~	50/60	19.1	20.2	63
	220-240V 3 ~	50/60	19.8/23.0	20.9/24.1	63/63
	380-400V 3/3N ~	50/60	19.1	20.2	32
	380-415V 3/3N ~	50/60	19.8/23.0	20.6/24.1	32/50
	440V 3 ~	50/60	21.0/23.0	22.2/24.1	32/35
	480V 3 ~	60	22.8/23.0	23.9/24.1	32/32
Steam or Non heated	220-415V 1/3N ~	50/60	-	1.3	10
	380-480V 3 ~	50/60	-	1.3	10

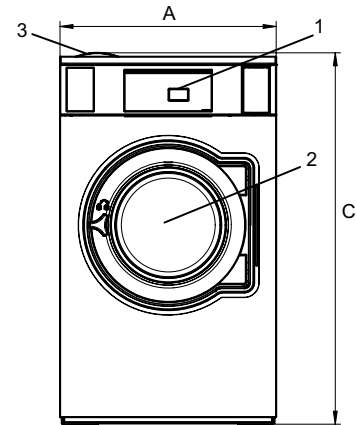
* Total power and recommended fuse does not depend on the heating power in those cases.

Water and steam connection		WS6-35
Water valves	DN	20
Water pressure	kPa	200-600
Capacity at 300 kPa	l/min	60
Drain valve	ø mm	75
Draining capacity	l/min	170
Steam valve	DN	15
Steam pressure	kPa	300-600
Liquid detergent supplies		5
Floor requirements		
Frequency of the dynamic force	Hz	11.2
Floor load at max extraction	kN	4.3 ± 6.9
Sound levels		
Sound power/pressure level at extraction*	dB(A)	73/57
Sound power/pressure level at wash*	dB(A)	67/51
Heat emission		
% of installed power, max		5
Shipping data**		
Weight	net, kg	307
Shipping volume	m ³	1.86
Accessories		
Steel base		x
Hose kits for water or steam		x
Fluff collector		x
Dimensions in mm		
A Width		910
B Depth		1115
C Height		1465
D1		505
D2		585
E		1675
F		1170
G		80
H		1365
I		345
J		245
K		1325
L		1245
M		280
N		105
O		210
P		160
1 Operating panel	7 Drain valve	
2 Door opening ø 435 mm	8 Liquid detergent supply	
3 Detergent box	9 Electrical connection	
4 Cold water	10 Steam connection	
5 Hot water		
6 Re-used water		

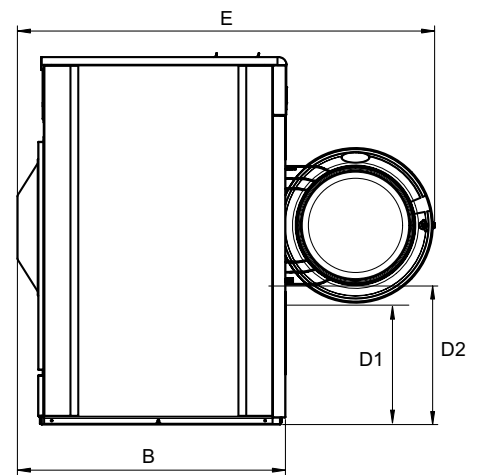
Front and side panels in silver grey and dark blue (color samples can be ordered on part number 472998313).

* Sound power levels measured according to ISO 60704.

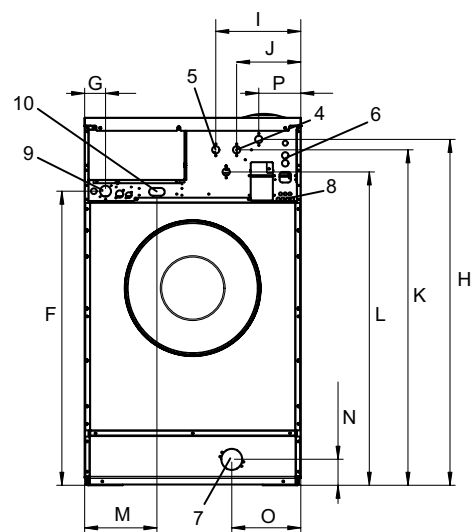
** Average data. Crated weight/shipping volume depends on configuration. Please contact logistics for exact measures.



Front



Side view



Rear