



SRP-08/10 TP2

## CHARACTERISTICS

### OUTSTANDING FEATURES

- TP2: User friendly and fully programmable microprocessor with a 4,3" touch screen.
- USB connection.
- Remote connection.
- Reduced drying times. (less than 45 minutes)
- 6,75 kw heating, option 4,5 kw.

### VERSATILITY

- OPL <> COIN  
Standard models can be programmed as OPL or coin laundry version, central pay, etc.
- SINGLE <> STACKED
  - Models can be stacked on top of a washer or on another dryer.
  - Control panels can be assembled between both drums for better ergonomics.
- Ideal for multiple solutions: hotels, hostels, campings, coin laundries, facility services (mops), gyms, etc.

### EFFICIENCY

- iDRY: humidity sensor.
- Optimised airflow.
- Wide fluff filter as drawer.
- Efficient design.

### ROBUSTNESS

- Outer casing in grey skinplate.
- Robust aluminium big door.
- Drawer as fluff filter. (not in the door but as a specific drawer)
- Industrial fan and powerful airflow.
- Sturdy construction of the dryer structure and panels.

### OTHERS

- FULL SCREEN FILTER: drawer fluff filter, not in the door.
- CE approved product.
- New gas heated models.

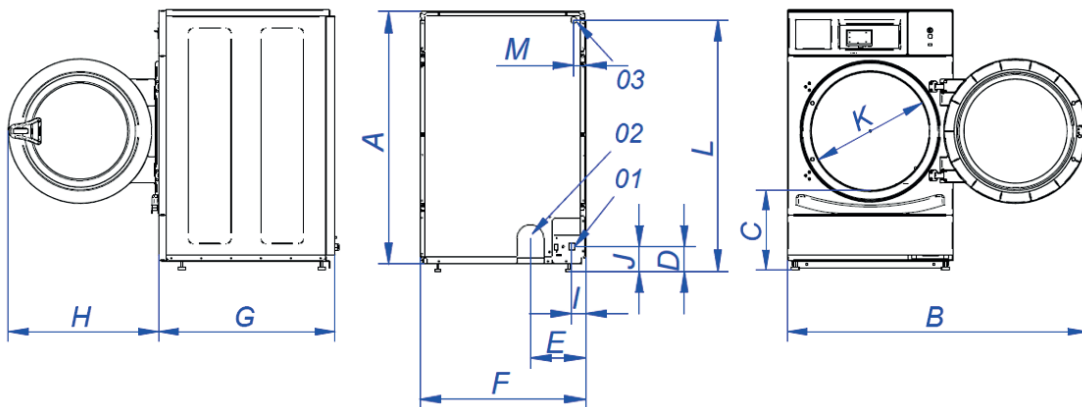
## OPTIONS

- FagorKconnect - IoT: communication kit.
- Stainless steel outer casing.
- AISI 304 stainless steel drum.
- Reversing door opening.
- Tropicalized model: protected board.
- Plinth for better ergonomics.
- Plinth for better ergonomics in stainless steel.
- Control panel mounted below. (stacked dryer)
- Maritime voltage 440V III 50/60 Hz No neutral.
- Coin/token kit.

TECHNICAL DATA

PROFESSIONAL DRYERS | ADVANCE | SRP-08/10 TP2

	UNIT	SRP-08 TP2	SRP-10 TP2
<b>CAPACITY &amp; DRUM</b>			
Capacity 1:20	Kg	8	10
Volume (litres)	l	160	200
Drum diameter Ø	mm	590	590
Drum depth	mm	585	690
<b>DOOR</b>			
Height center door	mm	554	554
Height base door	mm	320	320
Door diameter	mm	480	480
<b>GENERAL DETAILS</b>			
Touch II Control	-	Touch screen 4,3"	Touch screen 4,3"
USB connection	-	Yes	Yes
Construction	-	Skinplate panels	Skinplate panels
Plinth	-	OPT	OPT
Coin laundry version	-	Yes	Yes
Noise level	dB	62	62
<b>POWER</b>			
Motor	kW	0,37	0,37
Electric heating	kW	6,75 / 4,5	6,75 / 4,5
<b>CONNECTIONS</b>			
		<b>ELECTRIC</b>	<b>ELECTRIC</b>
Tension 230V I+N+T 50Hz / 60Hz	Nº x mm2/A	3 x 10+T / 32A	3 x 10 / 32A
Tension 230V III+T 50Hz // 60Hz	Nº x mm2/A	4 x 2,5 / 20A	4 x 2,5 / 20A
Tension 400V III+N+T 50Hz // 60Hz	Nº x mm2/A	5 x 1,5 / 10A	5 x 1,5 / 10A
Tension 440 III+T 60Hz	Nº x mm2/A	5 x 1,5 / 11A	5 x 1,5 / 11A
Tension 460/480 III+T 60Hz	Nº x mm2/A	5 x 1,5 / 10A	5 x 1,5 / 10A
Fume exhaust Ø	mm	100	100
Maximum airflow	m3/h	300	300
<b>CONNECTIONS</b>			
Electric heating consumption	kW	6,75 / 4,5	6,75 / 4,5
Average propane gas consumption	kg/h	0,45	0,45
Average natural gas consumption	m3/h	0,46	0,46
<b>DIMENSIONS / PACKING DIMENSIONS</b>			
Net width / Gross width	mm	680 / 710	680 / 710
Net Depth / Gross Depth	mm	722 / 832	775 / 832
Net Height / Gross Height	mm	1056 / 1141	1056 / 1141
Net weight / Gross weight	kg	89 / 101	93 / 104
Volume	m3	0,67	0,67



01 ELECTRICAL CONNECTION  
 02 EXHAUST OUTLET Ø100  
 03 GAS INLET 1/2"

	A	B	C	D	E	F	G	H	I	J	K	L	M
SRP-08 TP2	1056	1227	320	140	226	680	722	615	57	91	480	1015	50
SRP-10 TP2	1056	1227	320	140	226	680	722	615	57	91	480	1015	50