

Tumble dryer

TD6-14 with heat pump



Dryer featuring exceptional savings and effortless use



Priority on people

Certified ergonomic design with a human-centered approach for an outstanding user experience

- Lint filter
The horizontal filter drawer is positioned for easy access and cleaning without the need to bend down



Long-term savings

Innovative features to save money and time, and embrace a sustainable lifestyle with up to 62,5% energy saving due to the heat pump technology

- Moisture Balance
Helps to stop the drying process at the right time to save on energy costs



Pure control

Monitor your equipment and performance from anywhere, allowing to take action and to improve your business with OnE Laundry - the personal assistant for hygiene validation management, process management and revenue management (optional)



Outstanding productivity

Dry more laundry in less time: a game-changing improvement

- Reversing drum
Minimizes wrinkles and drying time to get an effective and even drying performance
- The tumble dryer can operate in an ambient temperature in between +10°C to +45°C

Main options and accessories

- Insulated glass door keeps the door cool on the outside and heat on the inside, so the room temperature is not affected
- Lagoon Advanced Care
- Drum Speed Control adjusts the movement of the drum to help garments move correctly for a faster drying process
- Door, front and side panels are available in stainless steel
- Connectable to booking-/payment system or coin meter



Images shown are a representation of the product only and variations may occur. To get the door design you need to add the insulated glass.

Main specifications		TD6-14
Rated capacity, filling factor 1:18	kg/lb	14.2/31.3
filling factor 1:22	kg/lb	11.6/25.6
Drum volume	litre	255
Drum diameter	mm	755
Rated input	kW	6.5
Consumption data*		
Total time full load	min	35.2
Energy consumption full load	kWh	2.05
Evaporation	g/min	165
Energy kWh/litre water evaporated	kWh/l	0.35

* At rated capacity 1:22, 100% cotton load at 50% initial moisture dried to 0%.

Produced according to ISO 9001 and ISO 14001.

Certified with CB certificate for Low Voltage Directive and S-mark according to the Machinery Directive. Protection class IP X4D.

Electrical connections					
Heating alternative	Main voltage		Heating power kW	Total power kW	Recommended fuse A
	Hz				
Heat pump	220-240V 1/1N - 50/60		*	5.5	25
	380-415V 3/3N - 50/60		*	6.5	10
Heat pump**	380-415V 3/3N - 50/60		*	6.5	13

* Total power and recommended fuse does not depend on the heating power in those cases.

** Machines with heat pump with DSC (Drum Speed Control).

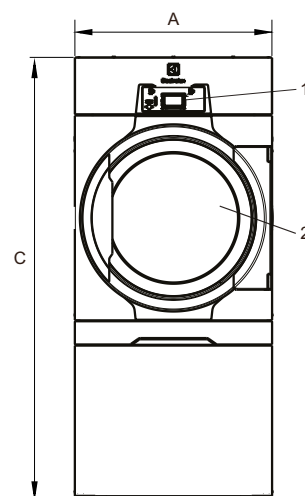
Sound levels	TD6-14
Sound power/pressure level at drying* dB(A)	72/56
Heat emission	
Average heat emission per drying cycle used to assess ventilation need*** kW	1.2
Shipping data**	
Weight kg	275
Shipping volume crated, m ³	1.70
Dimensions in mm	
A(a) Width	790
B(a) Depth	965
B(b) Depth	990
C Height	1770
D	775
E	835
F	750
G	110
H	270
I	125
J	260
1 Operating panel	
2 Door opening \varnothing 580 mm	
3 Electrical connection	
4 Drain for condense water	

Front and side panels in silver grey and dark blue (color samples can be ordered on part number 472998313).

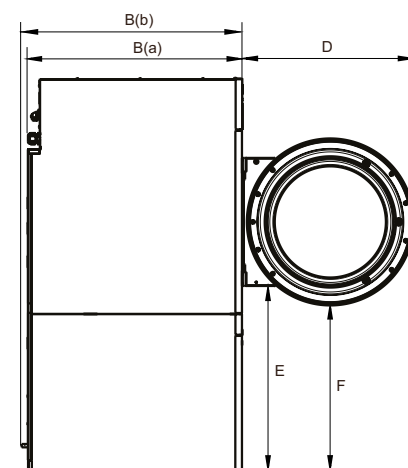
* Sound power levels measured according to ISO 60704.

** Average data. Crated weight/shipping volume depends on configuration. Please contact logistics for exact measures.

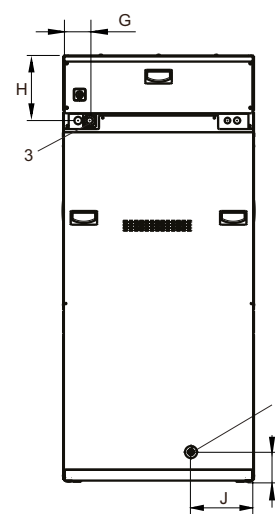
*** For assistance with dimensioning necessary ventilation needs, contact authorized ventilation technician. For sufficient ventilation all sources introducing heat need to be taken into account plus all other parameters effecting the ventilation need. Climate zone, building parameters, room size, etc.



Front



Left side



Rear side