

Warewashing
Small Single Skin GW, drain pump & detergent & rinse aid dispenser, 30b/h-UK

ITEM # _____

MODEL # _____

NAME # _____

SIS # _____

AIA # _____


402291 (ESGU)

Glasswasher (small), with single skin, built-in drain pump and detergent and rinse aid dispenser, 1 cycle, 30b/h - UK plug

Short Form Specification

Item No. _____

Unit shall be Glasswasher type hot water rinsing for rack dimension of 400*400mm. Electrical characteristics to be 230 single phase operation with one wash cycle of 120 seconds. Rinse temperature and pressure guaranteed by built in pressure boiler. Washing performance is ensured by a powerful wash pump, revolving washing spray arms. Double skinned counter-balance door. 304 stainless steel construction to include door, frame, wash tank, wash arm and rinse arms. The unit shall include drain pump, detergent and rinse aid dispenser pump and be equipped with electric cable with UK plug.

Main Features

- Built-in pressure boiler designed to raise incoming water to a guaranteed minimum temperature of 82° C for sanitizing rinse. No external boiler is required.
- Equipped with drain pump for easy and quick installation without opening the machine.
- Flexible rack support suitable to use rack dimension from 350x350mm up to 380x380mm.
- Built-in rinse aid and detergent dispenser with automatic initial and continuous cycle loading for perfect result while minimizing service and maintenance needs.
- Deep drawn pressed wash tank with fully rounded corners, sloped towards the drain to prevent dirt build up provides fast drainage in only a few minutes. Pressed wash tank with no welded points offer a guaranteed water tight solution.
- 120 seconds cycle.
- Equipped with single phase electrical cable and UK plug for easy and fast installation.
- Maximum capacity of 30 racks per hour.
- Simple operation control panel.
- Washing system endowed with rotating washing arms, high powered wash pump and large capacity wash tank for professional washing.
- Easy service access to main components without moving the unit.

Construction

- Internal components (arms and filter) are easy extractable.
- Completely closed on the back by a cover plate.
- Unit to feature rinse aid and detergent dispenser pumps.
- Finished in top quality materials to ensure durability.
- Robust structure thanks to stainless steel construction.
- Insulated double skin door construction preserves heat inside the tank to lower energy consumption and the noise. Counter-balance mechanism minimizes impact when opening and closing.

APPROVAL: _____

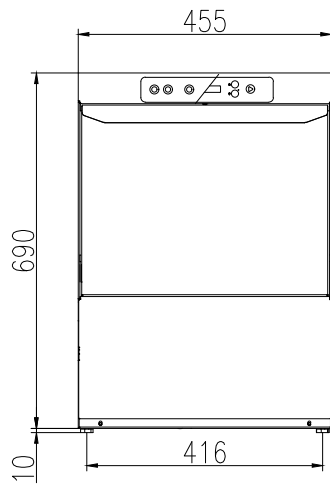
Included Accessories

- 1 of Square basket for glasses 400x400x150mm PNC 864470
- 1 of Insert for 12 saucers, 290X90x75mm PNC 867048
- 1 of Square cutlery container, 89x113x113mm PNC 867049

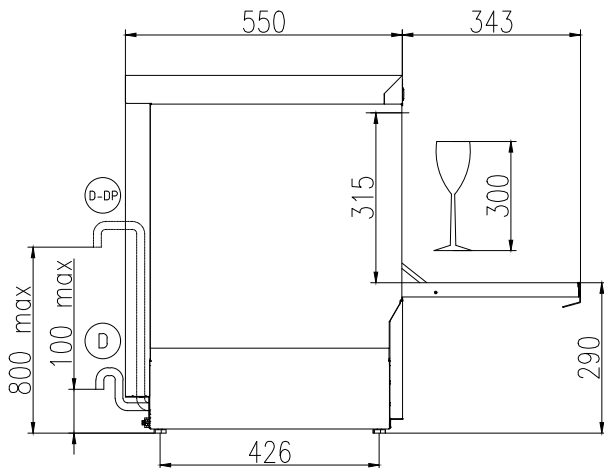
Optional Accessories

- Square basket for glasses, 400x400x1100mm PNC 867039
- Round basket for glasses, 400x180mm PNC 867047
- Inclination insert for glasses 400x400 mm PNC 867069
- Kit detergent dispenser for Single Skin XS and Single Skin S Glasswasher PNC 867072
- Kit tall feet for Glasswasher (available only for single skin S Glasswasher) PNC 867078

Front



Side



CWII = Cold Water inlet 1 (cleaning) XR = Rinse aid connection
 D = Drain
 EI = Electrical inlet (power)
 EO = Electrical Outlet
 WI = Water inlet
 XD = Detergent connection

Electric

Supply voltage:	
402291 (ESGU)	220-240 V/1 ph/50 Hz
Default Installed Power:	2.7 kW
Boiler heating elements:	2.7 kW
Tank heating elements:	2.4 kW
Wash pump size:	0.2 kW

Water:

Pressure, bar min/max:	2-5 bar
Water supply temperature*:	10-50 °C
Drain line size:	29mm
Washing tank capacity (lt):	12
Water consumption per cycle (lt):	2
Boiler Capacity (lt):	3
Incoming water line size:	3/4"

Key Information:

Baskets per hour*:	30
Working cycles time (sec.):	120
Wash temperature:	60°C
Cell dimensions - width:	405 mm
Cell dimensions - depth:	437 mm
Cell dimensions - height:	315 mm
Rinse temperature:	85 °C
External dimensions, Width:	455 mm
External dimensions, Depth:	550 mm
External dimensions, Height:	700 mm
Net weight:	38 kg
Shipping weight:	43 kg
Shipping height:	850 mm
Shipping width:	540 mm
Shipping depth:	630 mm
Shipping volume:	0.29 m ³
Noise level:	61 dBA